

Space-Saver³



***Space-Saver 3* is a three-phase padmounted transformer in a single-phase style cabinet, allowing you to.....**

- Reduce the cost of transformer and mounting pad.
- Reduce installation labor.
- Reduce physical size.
- Reduce transportation cost.
- Reduce storage space.
- Improve appearance.

Space-Saver 3 is a new three-phase padmounted distribution transformer in a single-phase style cabinet. This smaller, compact design offers reduced cost of the transformer and mounting pad, reduced installation labor, reduced transportation cost, reduced storage space requirements and improved appearance.

Space-Saver 3 is the perfect choice for small- to medium-sized loads where aesthetics is important or where space is limited. Remote loads such as irrigation pumps and transmitter sites are also excellent applications for *Space-Saver 3*. In fact, *Space-Saver 3* can be a low-cost replacement for traditional style transformers in most applications.

from the
industry leader in
distribution transformers

HI **Howard Industries, Inc.**

P.O. Box 1588
Laurel, MS 39441-1588
Telephone: (601) 425-3151
Fax: (601) 649-8090
E-mail: mkt@howard-ind.com
Web Site: www.howard-ind.com

Space-Saver³

Product Specifications:

The following specifications are typical. Contact the factory for special requirements.

KVA CAPACITIES

- 15 through 150 kVA.

HIGH-VOLTAGE CONFIGURATIONS

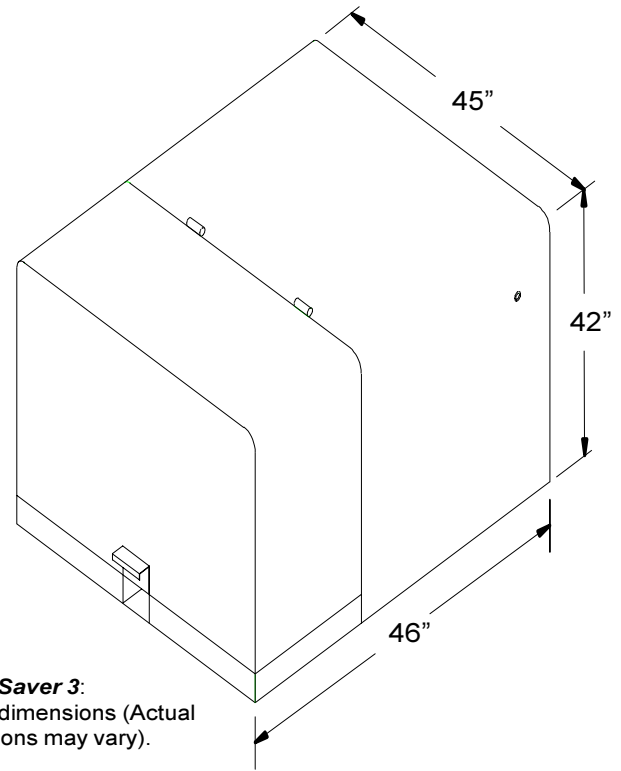
- Dead front, loop or radial feed with arrangement per ANSI C57.12.26, Figure 1 or 2 (minimum dimensions for 8.3kV and 8.3/14.4kV only).
- High-voltage ratings through 24940/14400, 125kV BIL. Contact the factory for availability of ratings above 125kV BIL.
- Universal bushing wells with or without load-break inserts, or one-piece load-break bushings.
- Optional draw-out expulsion fuses with or without partial-range current-limiting fuses.
- Optional high-voltage taps (Not available with delta/wye or dual-voltage switch).
- Optional delta/wye switch (Not available with taps or dual-voltage switch).
- Optional dual-voltage switch (Not available with taps or delta/wye switch).
- Optional load-break switch.
- Optional H_o bushing (30kV live-front bushing).

LOW-VOLTAGE CONFIGURATIONS

- Low-voltage bushing arrangement per ANSI C57.12.26, Figure 4a, minimum dimensions.
- Low-voltage ratings shall be 208y/120 or 480y/277 (Contact the factory for availability of other low-voltage ratings.).
- Threaded stud low-voltage bushings with or without screw-on spade terminals.

ENCLOSURE

- Hood, sill and oil compartment shall be similar to single-phase padmounted transformer design.
- Mild steel, stainless steel or hybrid mild/stainless steel construction.
- Flush mounted lifting provisions designed for balanced lifting.
- High-voltage/low-voltage barrier (metallic or non-metallic)
- Cabinet integrity meets or exceeds the requirements of ANSI C57.12.28.



Howard Industries, Inc.

P.O. Box 1588
Laurel, MS 39441-1588
Telephone: (601) 425-3151
Fax: (601) 649-8090
E-mail: mkt@howard-ind.com
Web Site: www.howard-ind.com